

### Performance

Bucket capacity	0.8 m <sup>3</sup>
Bucket range	0.6 - 1.2 m <sup>3</sup>
Tipping load bucket, straight (ISO 14397-1)	3801 kg
Tipping load bucket, articulated at 40° (ISO 14397-1)	3151 kg
Tipping load forks, straight (ISO 14397-1)	2910 kg
Tipping load forks, articulated at 40° (ISO 14397-1)	2451 kg
Lift breakout force (ISO 14397-2)	4978 kg
Lift capacity (ISO 14397-2)	2312 kg
Maximum travel speed — Range I	6.0 km/h
Maximum travel speed — Range II	20.0 km/h

### Engine

Model	2.4L V2 BOBCAT ENGINE
Compliancy	STAGE V
Cooling	Liquid
Fuel	Diesel
Fuel Tank	78.80 L
Power at 2600RPM (ISO 14396):	50.7 kW

### Weights

Operating weight, standard (ISO 6016)	5091 kg
Shipping weight, standard (ISO 6016)	4674 kg
Max. static axle load	8400 kg
Max. dynamic axle load	6000 kg

### Hydraulic System

System Relief @ Quick Couplers	20.5 MPa
Hydraulic Tank	27.20 L
Auxiliary Std Flow	75.40 L/min
Auxiliary High Flow	103.50 L/min

### Drive System

Main Drive	Proportionally regulated hydrostatic motor
Transmission	Hydrostatic with electronic regulation

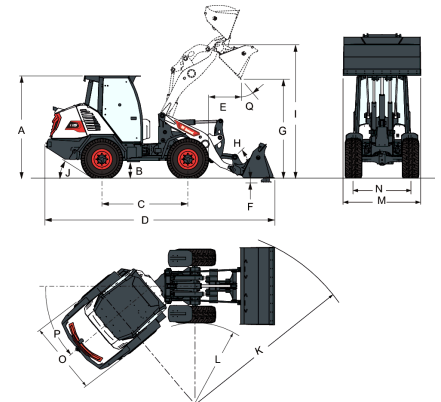
### Controls

Vehicle steering	Machine articulation via hydraulic steering with steering wheel
Travel Direction	Travel direction switch (F-N-R) on joysticks. Drive pedal in work and travel mode.
Machine hydraulics	Dual axis joystick for lift, tilt and auxiliary
Vehicle braking	Combination of integrated 6 wet brake disk in rear axle with hydrostatic braking effect provision

### Environmental

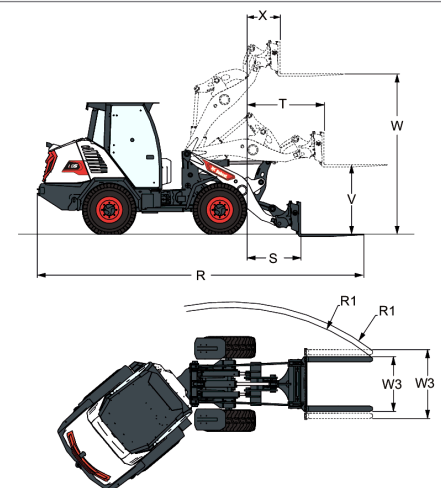
Noise level LpA(EU Directive 2000/14/EC)	100 dB(A)
Noise level LWA(at operator's ear)	77 dB(A)
Whole body vibration below	0.63 ms <sup>-2</sup>
Hand-arm vibration below	1.31 ms <sup>-2</sup>

### Dimensions



(A)	2497.7 mm	(J)	33.4°
(B)	427.0 mm	(K)	4280.4 mm
(C)	2100.0 mm	(L)	1985.6 mm
(D)	5452.7 mm	(M)	1900.0 mm
(E)	686.0 mm	(N)	1393.0 mm
(F)	100.0 mm	(O)	1800.0 mm
(G)	2507.5 mm	(P)	40.0°
(I)	3250.0 mm	(Q)	45.0°

### Dimensions - Pallet fork



(R)	5979.4 mm	(V)	1374.0 mm
(R1)	4262 - 4472.6 mm	(W)	3100.0 mm
(S)	795.9 mm	(W3)	773.6 - 1313.6 mm
(T)	1277.7 mm	(X)	441.9 mm